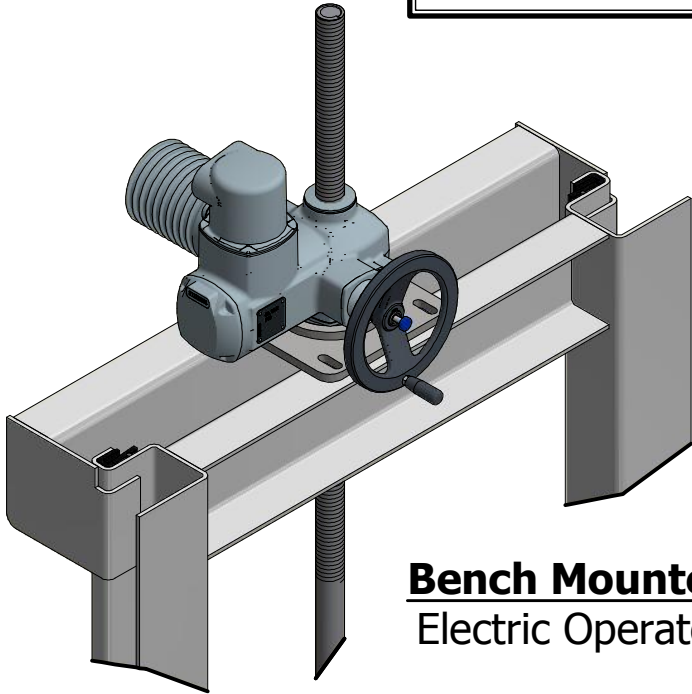
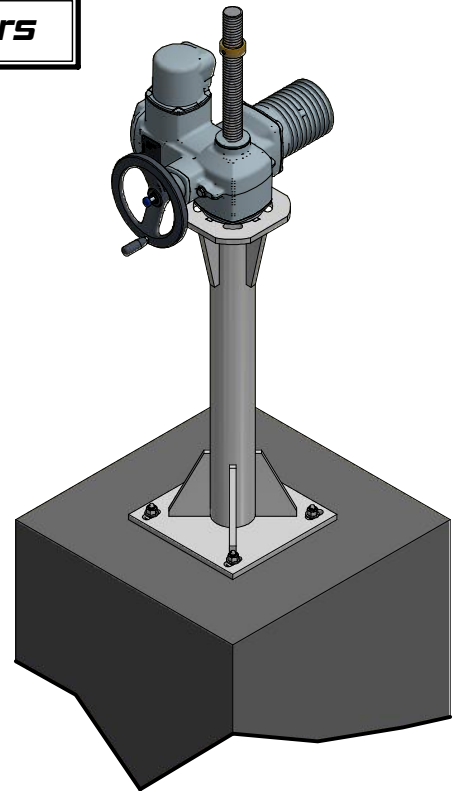


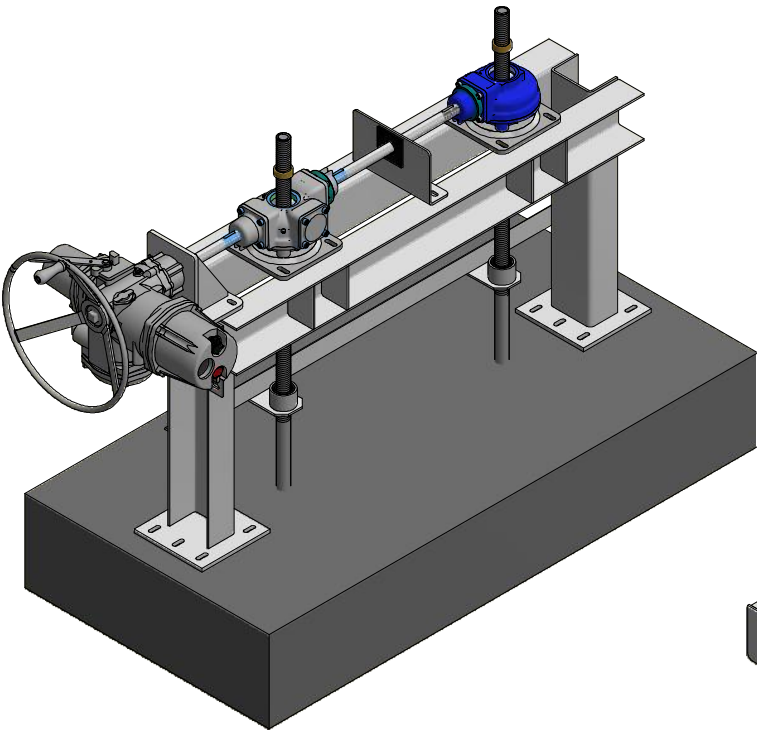
**WACO Electric Operators**



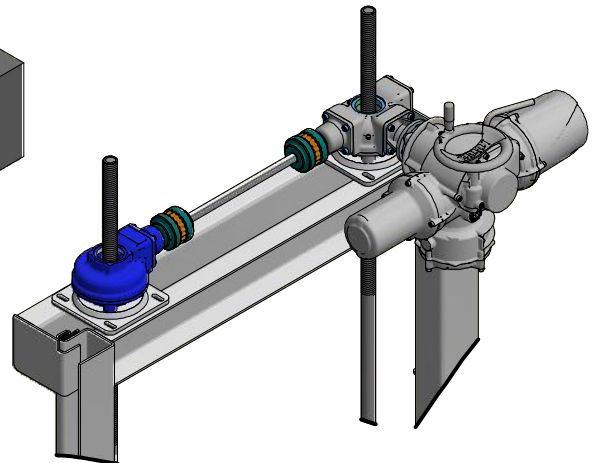
**Bench Mounted**  
Electric Operator



**Pedestal Mounted**  
Electric Operator



**Dual Stem NSC Bench**  
Electric Operator



**Dual Stem SC Bench**  
Electric Operator