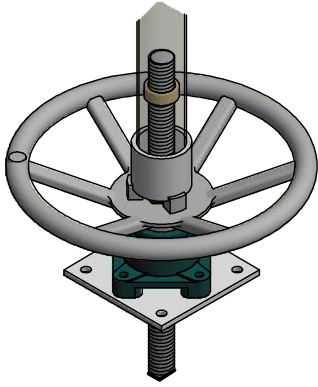
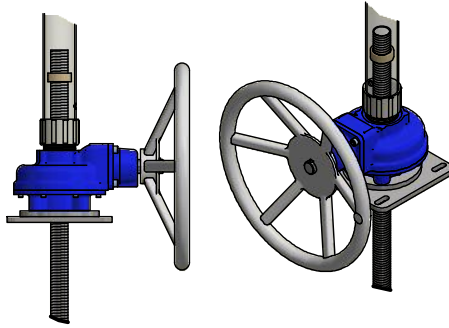


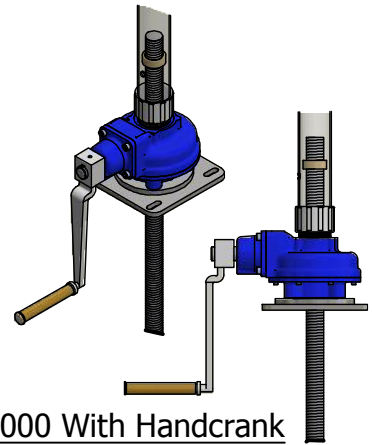
**WACO Manual Operators**



BS1015



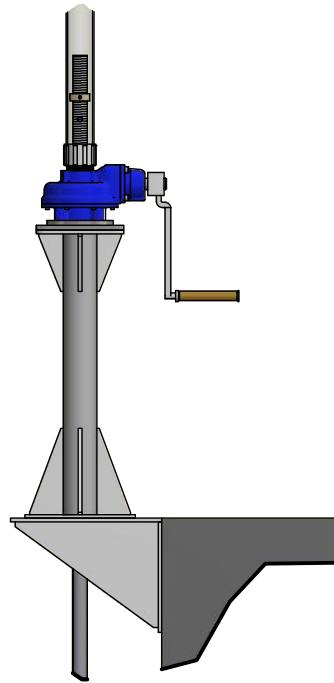
BS2000 With Handwheel



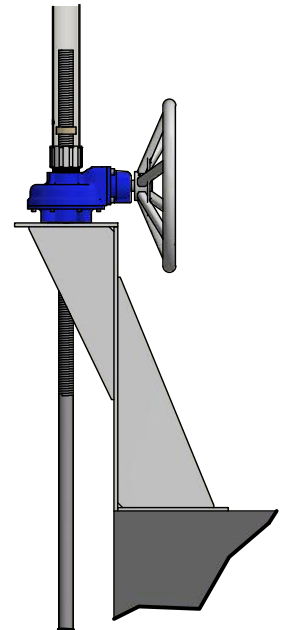
BS2000 With Handcrank



Standard Pipe Pedestal  
(with BS1015)



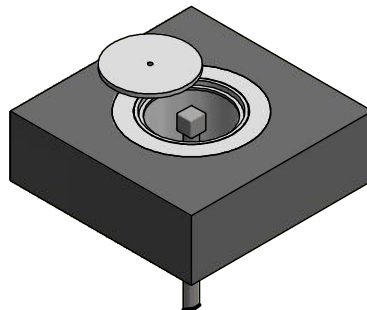
Wall Bracket  
(with pipe pedestal and  
BS2000 Handcrank)



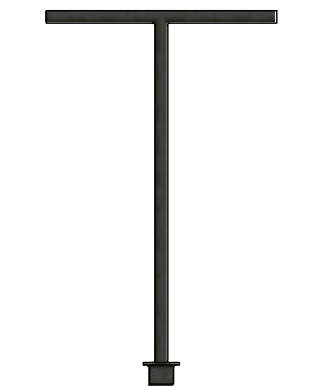
Offset Pedestal  
(with BS2000 Handwheel)



Stem Cover  
(shown with BS1015)



AWWA Nut Floor Box  
(for non-rising stem)



T - Wrench  
(for AWWA nut operator)